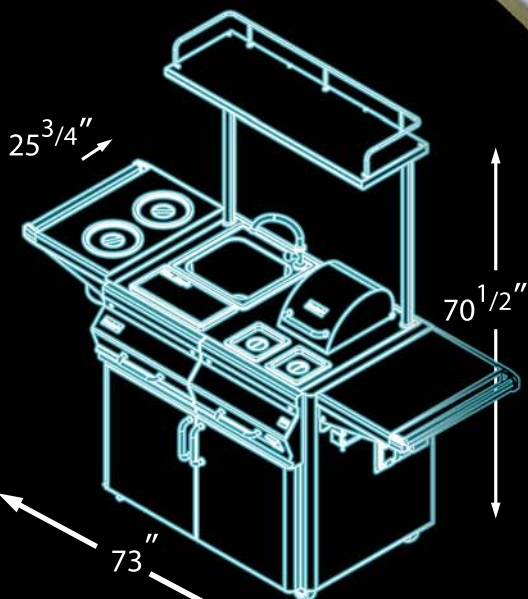
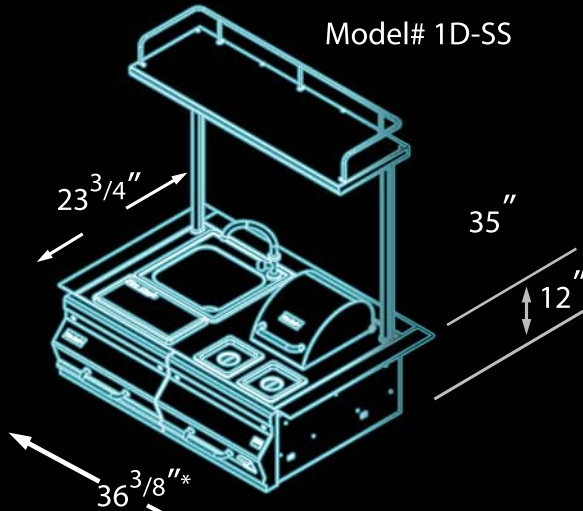


BEVERAGE CENTER

From smoothies, chilled wine, iced drinks, or whatever your needs may be, Fire Magic's new Beverage Center accommodates your serving style. Whether you are a professional chef or just one who enjoys cooking on the outdoor grill, you'll find the Beverage Center perfectly complements your grilling style in outdoor entertaining. Available in stand alone or island models, it partners with any Fire Magic Grill for greater versatility. Constructed of the finest stainless steel and engineered with an eye for elegance and functionality, the Beverage Center will provide years of delightful service.

See Reverse Side for Features.

Dimensions: Island
Model# 1D-SS



Stand Alone
Model# 2D-SS

FIREMAGIC

CRAFTED WITH PRIDE  IN THE USA